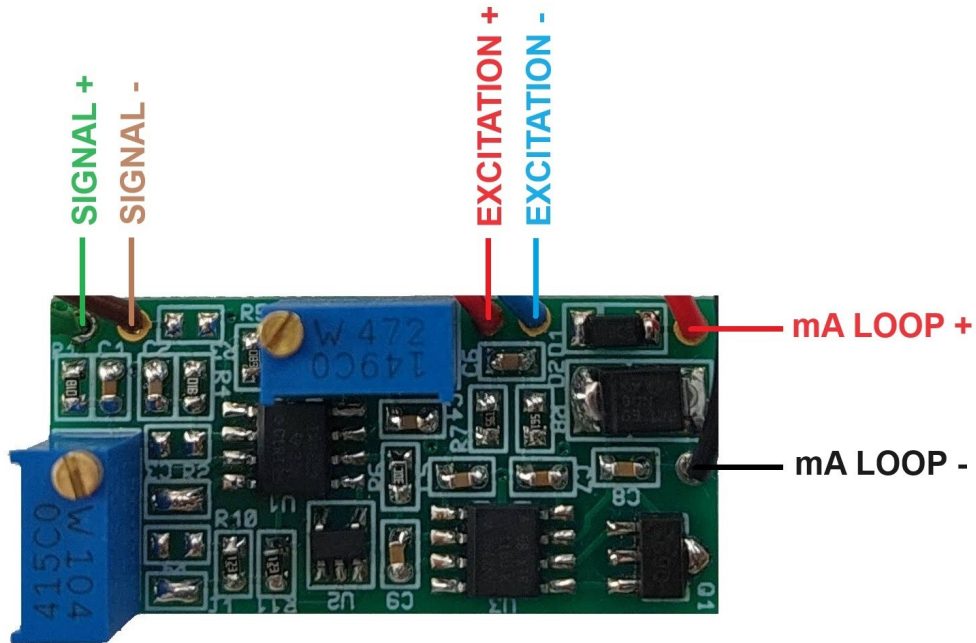


IQ510

Loop Powered 4-20mA Load Cell Amplifier

Manual – English 1.00



Introduction

The IQ510 provides precision electronic circuitry to convert a load cells output to a 2-wire loop powered 4-20mA current loop.

Zero and Span trim potentiometers are provided for fast field calibration.

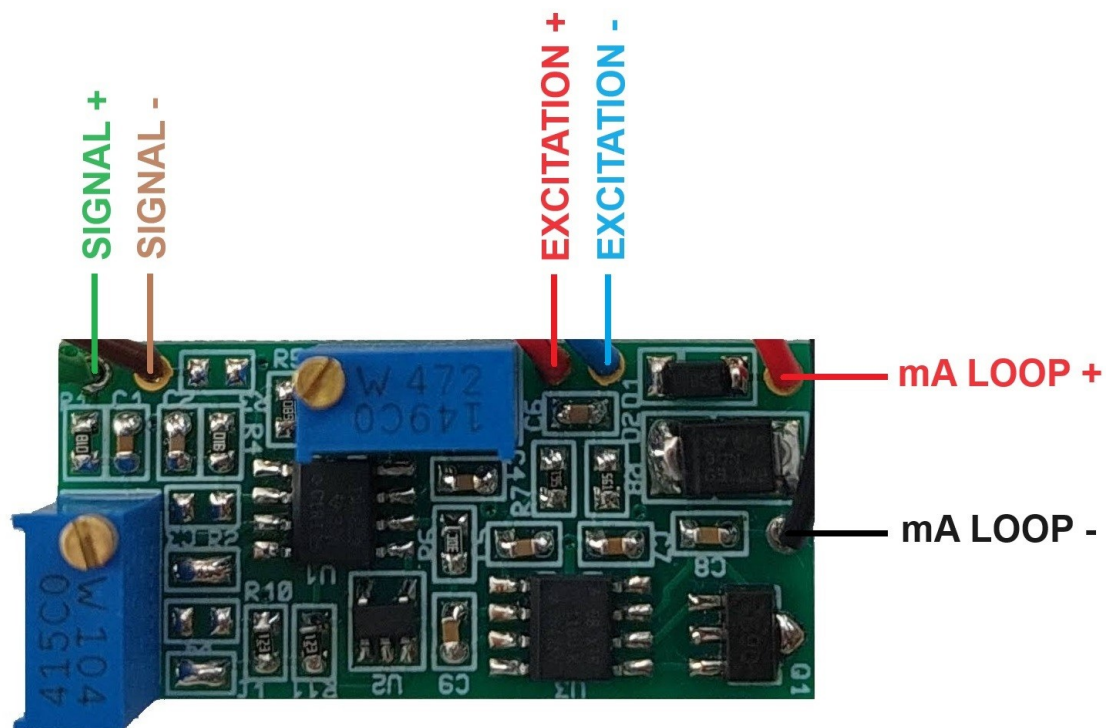
1 Features

- Provides a 2-Wire 4-20mA current loop output
- 4-20mA Loop powered
- 350, 700 or 1000 Ohm load cell amplifier
- 25 turn Zero and Span trim potentiometers for fast calibration
- Supply voltage range of 10 to 28V
- Reverse polarity and over voltage protected
- Wide temperature range -40°C to + 85°C
- 1 year limited warranty

2 Specifications

Dimensions	36x17x15mm (1.42x0.67x0.59") (To top of potentiometers)
Supply Voltage Range	10 to 28V, Typical 24V Reverse polarity and over voltage protected
Output Current Range	4-20mA
Zero Adjustment	+5% FS
Span Adjustment	+7.5% FS
Bridge Impedance	1000 Ohm (Recommended). 350, 700 Ohm
Bridge Sensitivity	1mV/V (1000 Ohm load cell). 2mV/V (350 Ohm load cell).
Bridge Excitation	Approx. 2.5V (1000 Ohm load cell). Approx. 0.9V (350 Ohm load cell)
Operating temperature	-40°C to 85°C (-40°F to 18°F)

3 Connection Diagram



4 Notice

Specifications of the products displayed herein are subject to change without notice. Infiniteq cc, or anyone on its behalf, assumes no responsibility or liability for any errors or inaccuracies.

Information contained herein is intended to provide a product description only. No license, express or implied, by estoppel or otherwise, to any intellectual property rights is granted by this document. Except as provided in Infiniteq's terms and conditions of sale for such products, Infiniteq assumes no liability whatsoever, and disclaims any express or implied warranty, relating to sale and/or use of Infiniteq products including liability or warranties relating to fitness for a particular purpose, merchantability, or infringement of any patent, copyright, or other intellectual property right.

The products shown herein are not designed for use in medical, life-saving, or life-sustaining applications. Customers using or selling these products for use in such applications do so at their own risk and agree to fully indemnify Infiniteq for any damages resulting from such improper use or sale.

5 Warranty

This product carries a warranty for a period of one year from date of purchase against faulty workmanship or defective materials, provided there is no evidence that the unit has been mishandled or misused. Warranty is limited to the replacement of faulty components and includes the cost of labor. Shipping costs are for the account of the purchaser.

Note: Product warranty excludes damages caused by unprotected, unsuitable or incorrectly wired electrical supplies and or sensors, and damage caused by inductive loads.

DISTRIBUTED BY: