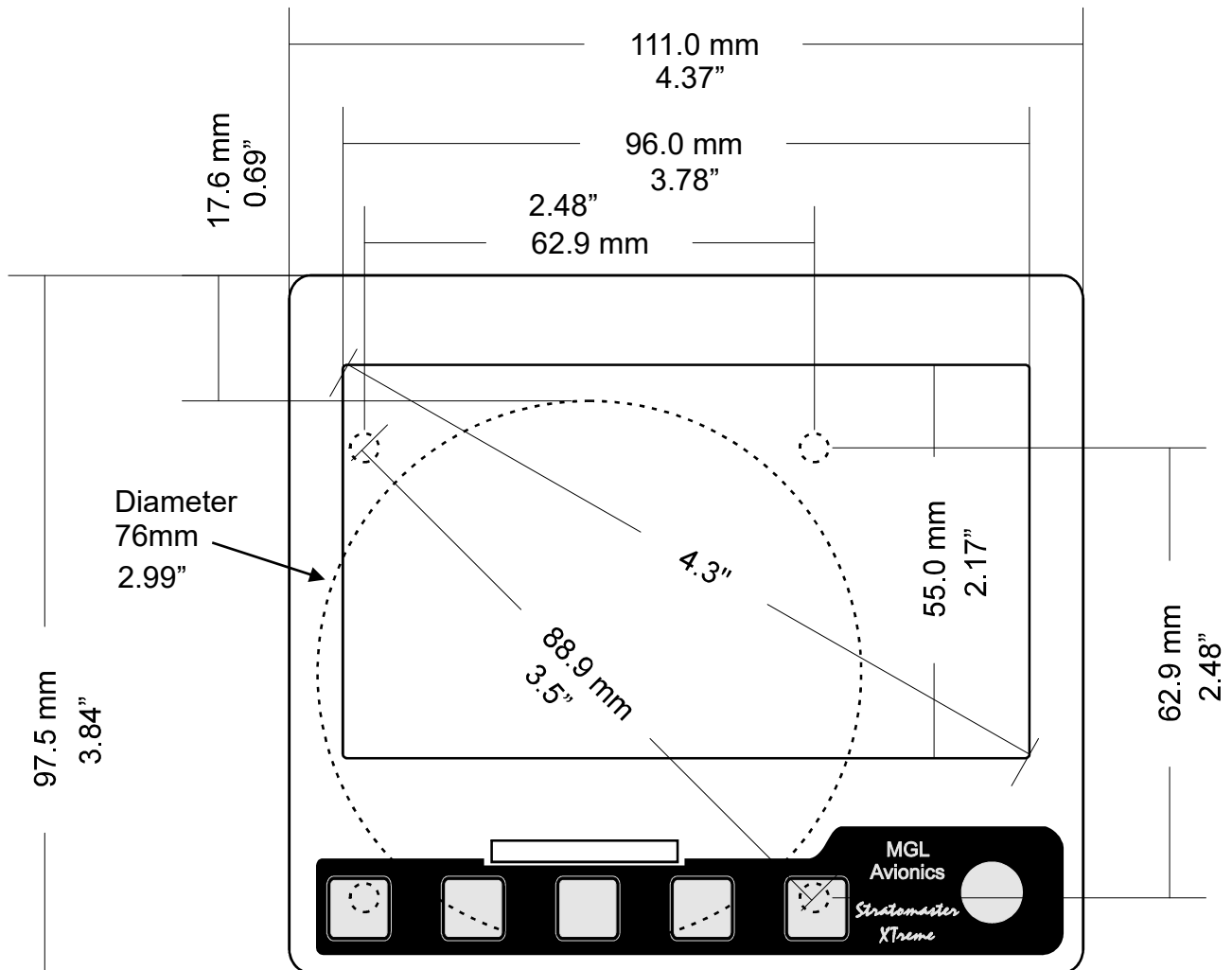


XTreme EMS

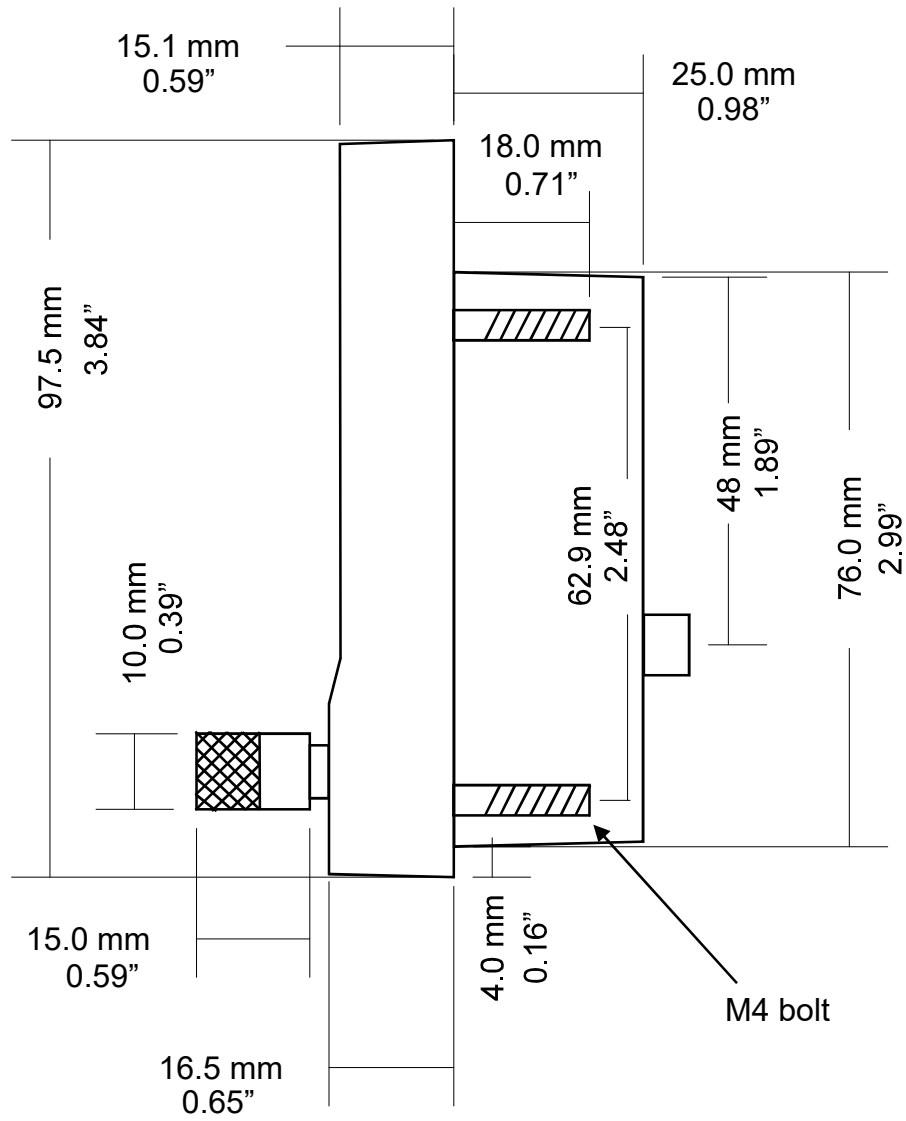
Dimensions

Document - English 2.02

FRONT VIEW



SIDE VIEW



TOP VIEW

