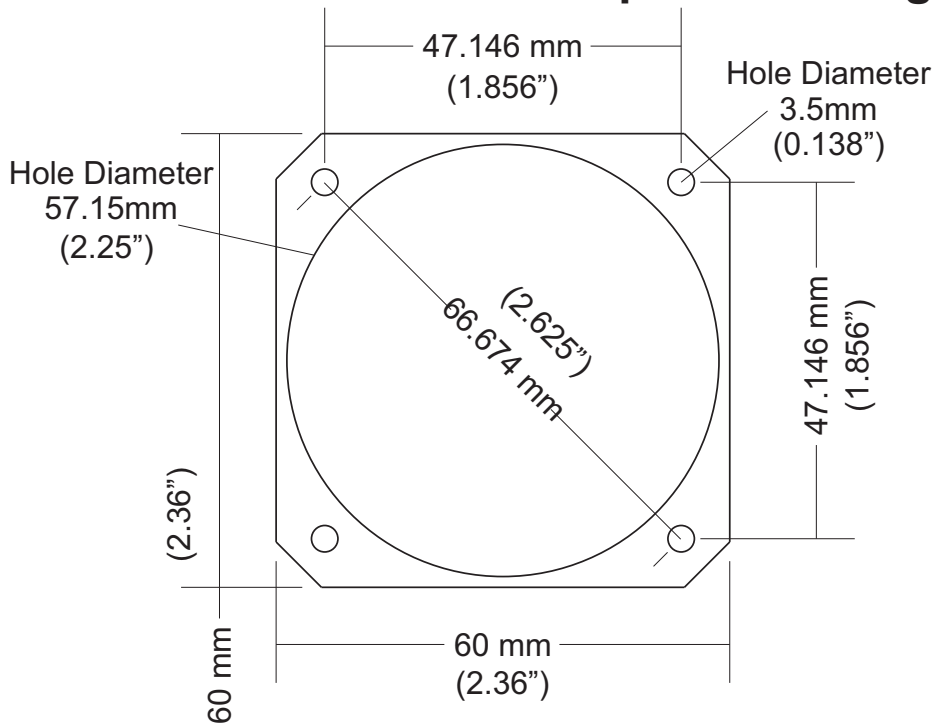


Stratomaster Vega

2.25" Template Drawing



FRONT VIEW

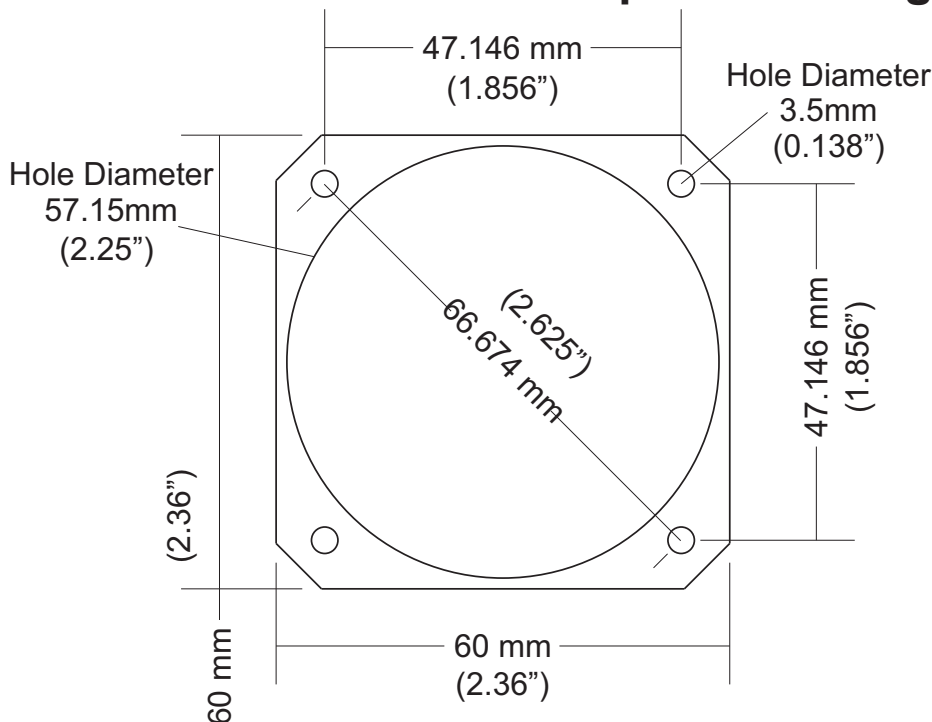
3mm (0.118") mounting screws recommended

ACTUAL SIZE

NOTE: 57.15mm (2.25") is a standard cutout, but due to manufacturing tolerances, 58mm (2.28") is found to be more desirable.

Stratomaster Vega

2.25" Template Drawing



FRONT VIEW

3mm (0.118") mounting screws recommended

ACTUAL SIZE

NOTE: 57.15mm (2.25") is a standard cutout, but due to manufacturing tolerances, 58mm (2.28") is found to be more desirable.

