

# IQ820

## 4-20mA Passive Loop Isolator

Datasheet – English 1.00



## Introduction

The IQ820 is a galvanically isolated 4-20mA passive loop isolator. A unique feature to this design is that it does not require any external power supply to generate an output current that is equal to the input current.

The IQ820 adopts unique electromagnetism isolation to achieve high accuracy and linearity. It can drive up to 300 ohms and boasts an isolation voltage of >3kV. The main use for a 4-20mA loop isolator is for the elimination of ground loop measurement problems.

The IQ820 is housed in a space saving DIN rail mount enclosure and is very easy to install.

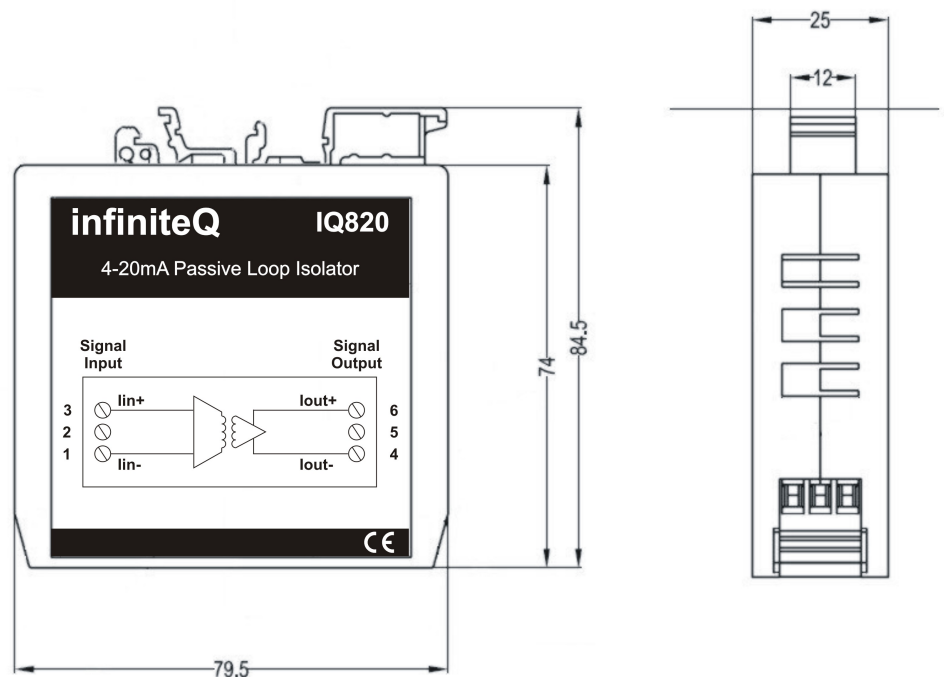
## 1 Features

- 4-20mA input/output passive isolator
- No additional power supply required
- Eliminate ground loop measurement problems
- Two-port isolation (Between input and output)
- >3kV Isolation Voltage
- Low voltage drop
- High frequency response
- Accuracy and linearity better than 0.1%FS
- Can drive an output load up to 300 Ohms
- High performance design
- Extremely easy to install
- Space saving DIN rail mount enclosure
- 1 Year Warranty

## 2 Specifications

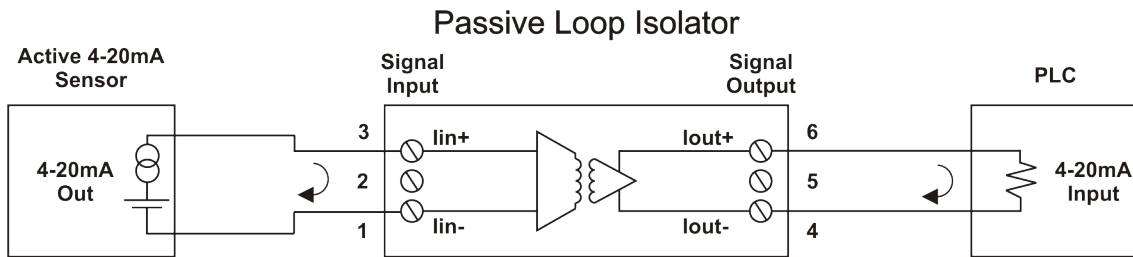
<b>Input Parameters:</b>	
Input Signal	4-20mA
Input Overload	<=50mA
Voltage Drop-out	Typically 3V(@Input=20mA)
Input Protection	36V Overload Protection
<b>Output Parameters:</b>	
Output signal	4-20mA
Load Capacity	<=300Ω (@Output=20mA)
Load Regulation	<0.05% Measured Value / 100Ω
<b>General:</b>	
Zero Offset	0.1%FS
Gain Error	0.1%FS
Temperature Drift	0.0035%FS/°C (-10°C to 50°C)(14°F to 122°F)
Accuracy	0.1%FS
Linearity	0.1%FS
<b>Isolation Characteristics:</b>	
Galvanic isolation	Two-Port Isolation (Between Input and Output)
Isolation Voltage	3kVDC (Tested for 1 minute and leakage current <1mA, humidity<70%)
<b>Environmental:</b>	
Operating temperature	-10°C to 50°C (14°F to 122°F)
Storage temperature	-40°C to 80°C (-40°F to 176°F)
Operating and storage humidity	<85% RH non-condensing
<b>Enclosure:</b>	
Enclosure Dimensions	Din Rail 79.5x74x25mm (LxHxD) (3.13"x2.91"x0.98")
Enclosure Material	Nylon
Enclosure Color	Green

## 3 Dimensions

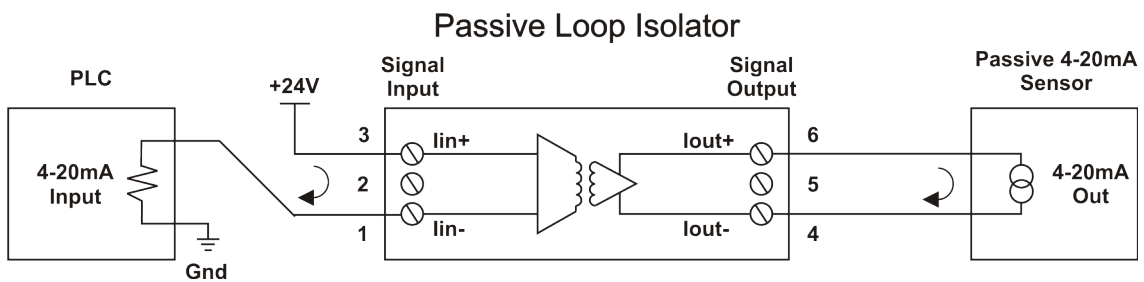


# 4 Applications

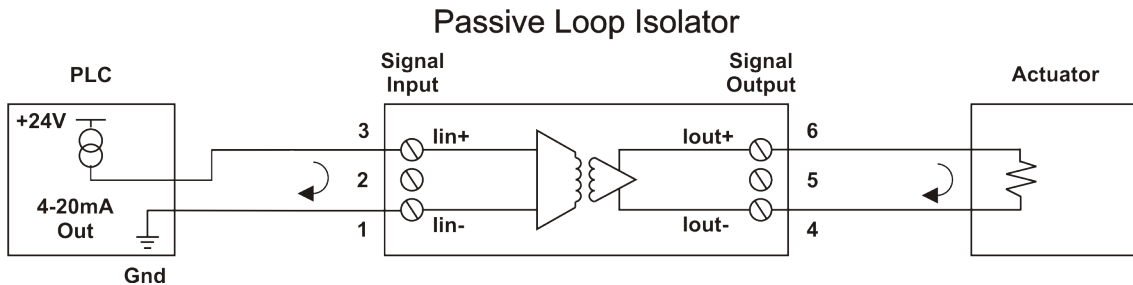
## Galvanic isolation of a PLC input connected to an active 4-20mA sensor



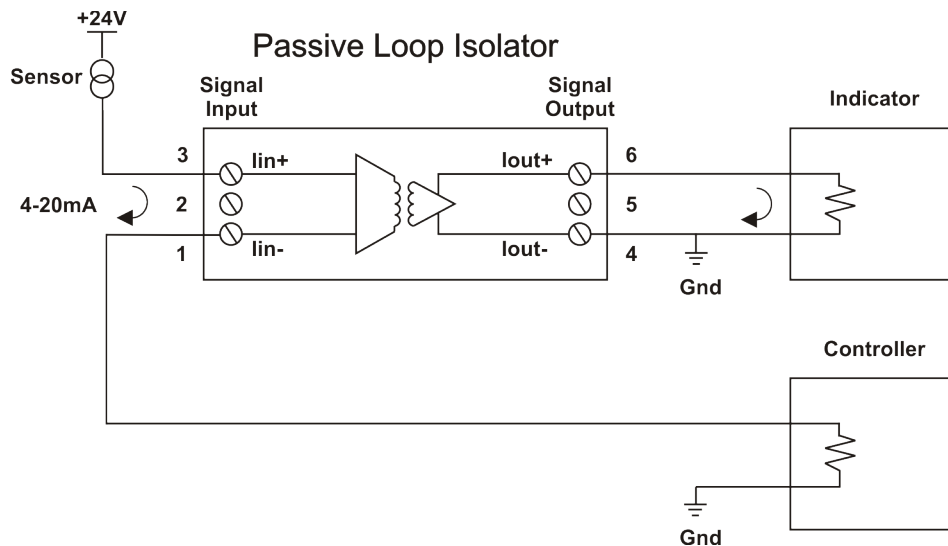
## Galvanic isolation of a PLC input connected to a loop fed sensor



## Galvanic isolation of a PLC 4-20mA output



## Isolation of two common grounded instruments



## 5 Notice

Specifications of the products displayed herein are subject to change without notice. Infiniteq cc, or anyone on its behalf, assumes no responsibility or liability for any errors or inaccuracies.

Information contained herein is intended to provide a product description only. No license, express or implied, by estoppel or otherwise, to any intellectual property rights is granted by this document. Except as provided in Infiniteq's terms and conditions of sale for such products, Infiniteq assumes no liability whatsoever, and disclaims any express or implied warranty, relating to sale and/or use of Infiniteq products including liability or warranties relating to fitness for a particular purpose, merchantability, or infringement of any patent, copyright, or other intellectual property right.

The products shown herein are not designed for use in medical, life-saving, or life-sustaining applications. Customers using or selling these products for use in such applications do so at their own risk and agree to fully indemnify Infiniteq for any damages resulting from such improper use or sale.

## 6 Warranty

This product carries a warranty for a period of one year from date of purchase against faulty workmanship or defective materials, provided there is no evidence that the unit has been mishandled or misused. Warranty is limited to the replacement of faulty components and includes the cost of labor. Shipping costs are for the account of the purchaser.

**Note:** Product warranty excludes damages caused by unprotected, unsuitable or incorrectly wired electrical supplies and or sensors, and damage caused by inductive loads.

**DISTRIBUTED BY:**