

IQ610

Wall mount enclosure for 1 or 2 panel meters

Manual – English 1.00



* Panel meter not included

Introduction

The IQ610 is a weatherproof wall mount enclosure for 1 or 2 panel meters. The IQ610 provides an easy solution to the installation and wiring of 1 or 2 panel meters (96x48).

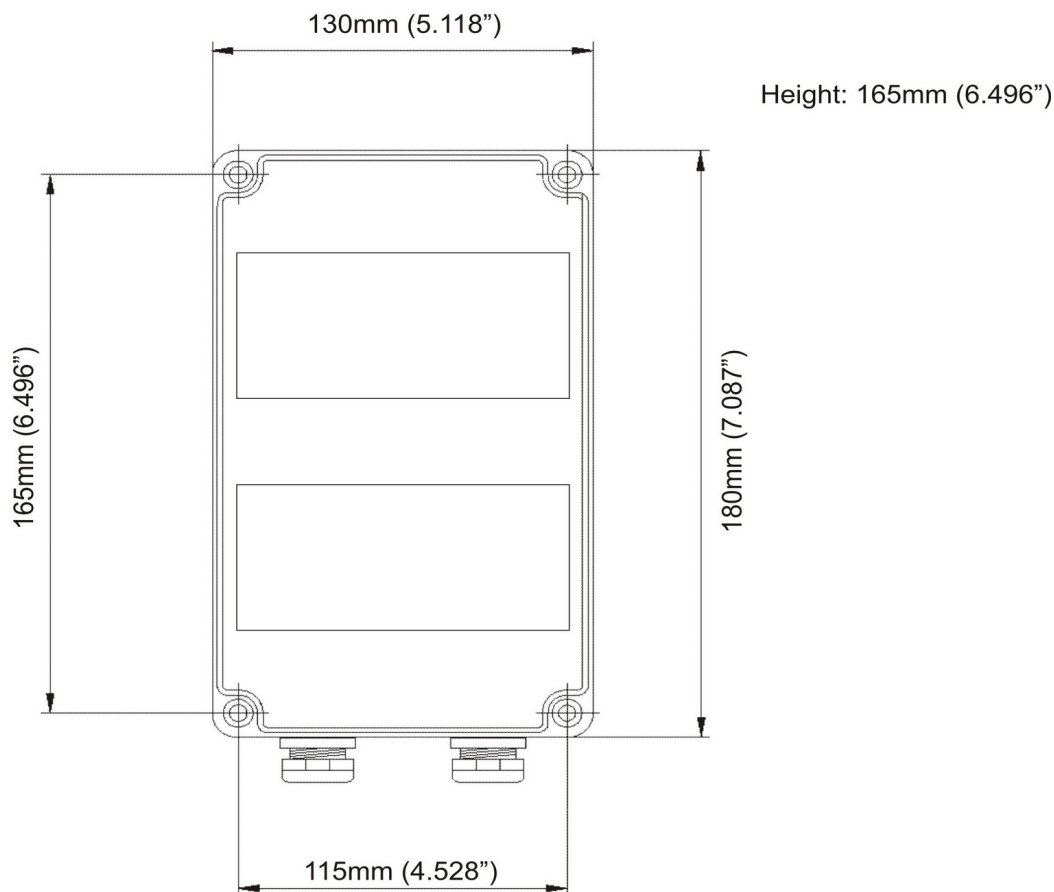
The 2nd panel meter can easily be installed by simply clipping the blocking plate away with a side cutter.

The IQ610 also has enough internal space for the mounting of other equipment such as a radio modem etc.

1 Features

- Weatherproof polycarbonate wall mount enclosure
- Easy solution for installation and wiring of 1 or 2 panel meters
- Two 96x48 panel meters can be installed into a single wall mount enclosure
- 2nd Panel meter can be installed by simply clipping the blocking plate away
- Enough internal space for mounting other equipment such as a radio modem etc.
- 1 year limited warranty

2 Dimension & Template Drawing



The 2nd panel meter can be installed by simply clipping the blanking plate away with a side cutter.

3 Specifications

Enclosure:	
Unit Dimensions	180x130x165mm (7.087x5.118x6.496")
Enclosure Sealing	Tongue and groove with Neoprene seal
Enclosure Material	Polycarbonate (grey base, Transparent grey lid)
Weight	720g
Panel meter mounting face plate material	Fibreglass
Gland clamping/sealing range	2 Glands, 4-8mm (0.157-0.314") Diameter wire

4 Ordering Information

IQ610 – Wall mount enclosure for 1 or 2 panel meters

5 Notice

Specifications of the products displayed herein are subject to change without notice. Ininiteq cc, or anyone on its behalf, assumes no responsibility or liability for any errors or inaccuracies.

Information contained herein is intended to provide a product description only. No license, express or implied, by estoppel or otherwise, to any intellectual property rights is granted by this document. Except as provided in Ininiteq's terms and conditions of sale for such products, Ininiteq assumes no liability whatsoever, and disclaims any express or implied warranty, relating to sale and/or use of Ininiteq products including liability or warranties relating to fitness for a particular purpose, merchantability, or infringement of any patent, copyright, or other intellectual property right.

The products shown herein are not designed for use in medical, life-saving, or life-sustaining applications. Customers using or selling these products for use in such applications do so at their own risk and agree to fully indemnify Ininiteq for any damages resulting from such improper use or sale.

6 Warranty

This product carries a warranty for a period of one year from date of purchase against faulty workmanship or defective materials, provided there is no evidence that the unit has been mishandled or misused. Warranty is limited to the replacement of faulty components and includes the cost of labor. Shipping costs are for the account of the purchaser.

Note: Product warranty excludes damages caused by unprotected, unsuitable or incorrectly wired electrical supplies and or sensors, and damage caused by inductive loads.

DISTRIBUTED BY: