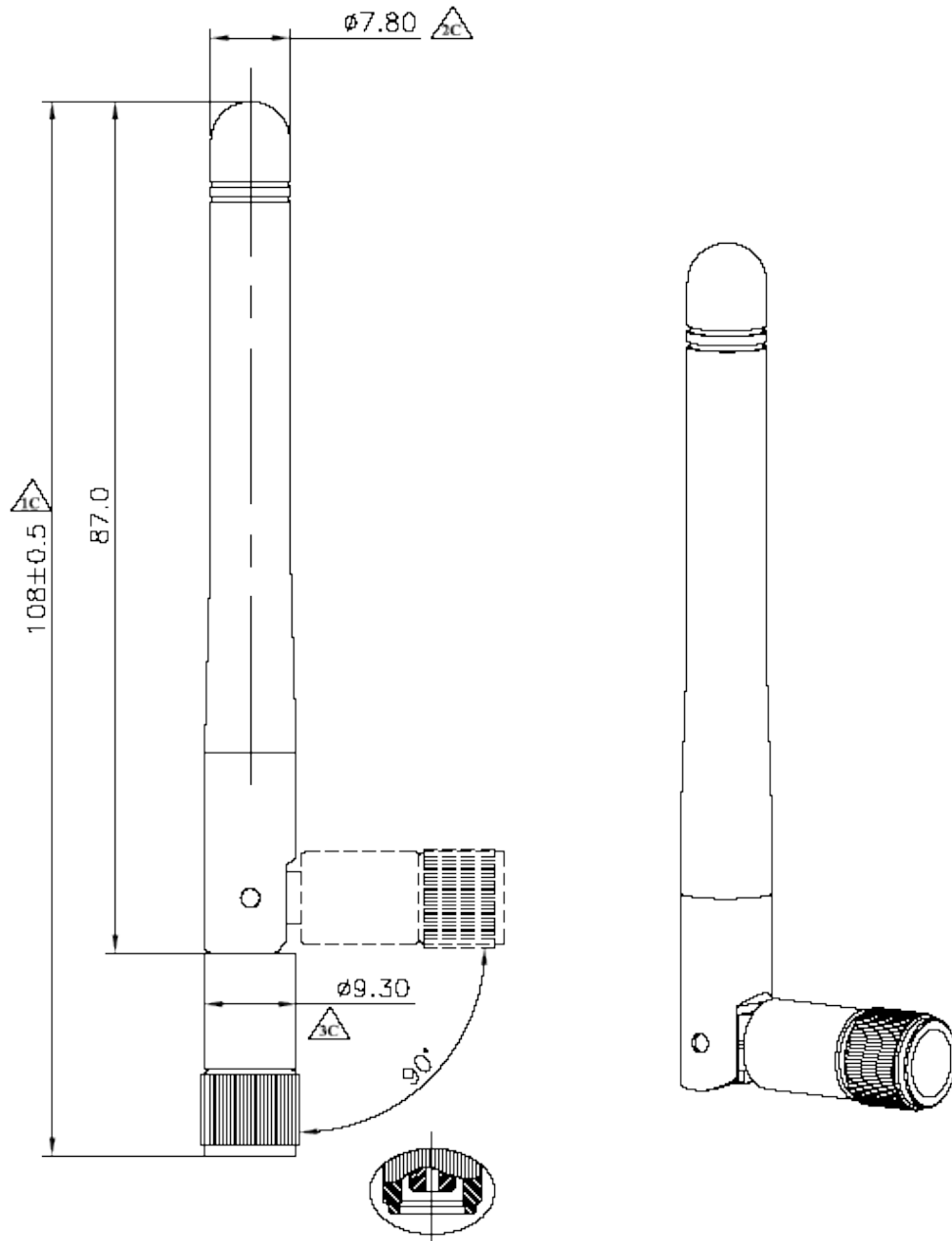


ANT001

2.4GHz Swivel Antenna with SMA Male connector

Datasheet – English 1.00



1 Specifications

Frequency range	2.4-2.5GHz
Impedance	50 Ohms
V.S.W.R	≤ 2.0
Gain	2.1dBi
Radiation	Omni
Electrical wave	$\frac{1}{4}$ wavelength, Dipole
Polarization	Vertical
Antenna Cover/Base	Plastic
Color	Black
Cable	RG-178
Connector	SMA Male reverse
Operating Temperature	-20°C to $+65^\circ\text{C}$ (-4°F to 149°F)
Storage Temperature	-30°C to $+75^\circ\text{C}$ (-22°F to 167°F)

2 Warranty

This product carries a warranty for a period of one year from date of purchase against faulty workmanship or defective materials, provided there is no evidence that the unit has been mishandled or misused. Warranty is limited to the replacement of faulty components and includes the cost of labor. Shipping costs are for the account of the purchaser.

Note: Product warranty excludes damages caused by unprotected, unsuitable or incorrectly wired electrical supplies, inductive loads and damage caused by unprotected communication lines.

DISTRIBUTED BY: